

## Floor Stand Small Solo

MAX. VESA 400 x 400

Working with a monitor or touchscreen has never been so easy.

From presenting information to interactive communication: first and foremost, working with a monitor or touchscreen has to be easy. And that's precisely what our unique Flexline mounting system provides.

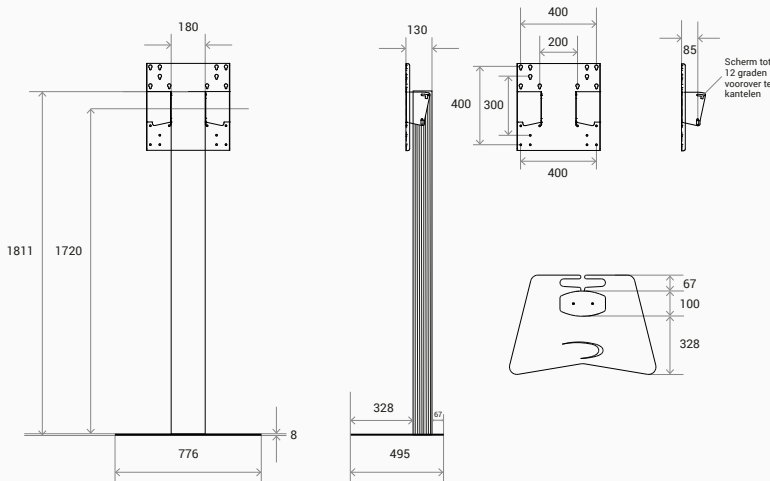


Max. 50 kg



Black

### Technical drawing



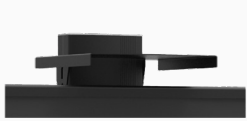
### Floor Stand Small Solo:

FSS18BV44B

- The screen can be mounted at any height you wish
- Rubber cover strip can be positioned on the front or on the back
- Optional, camera support, socket, laptop shelf or input panel (Extron, Gira, Neets, Kramer etc.) to mount

### About ErgoXS

ErgoXS develops and produces standard and customised systems for moving touchscreens and monitors, as well as for attaching them to ceilings, walls and floors. We do this for companies and institutions, such as schools and banks. Our solutions tie in with the user's requirements: from the teacher in the classroom to the director in the boardroom. This means they can do their work more easily, day in day out.



Camera support  
CAMB1



Laptop shelf  
LAPB1



Power strip  
ELEC042