

Floor Stand Small Solo

MAX. VESA 400 x 400

Working with a monitor or touchscreen has never been so easy.

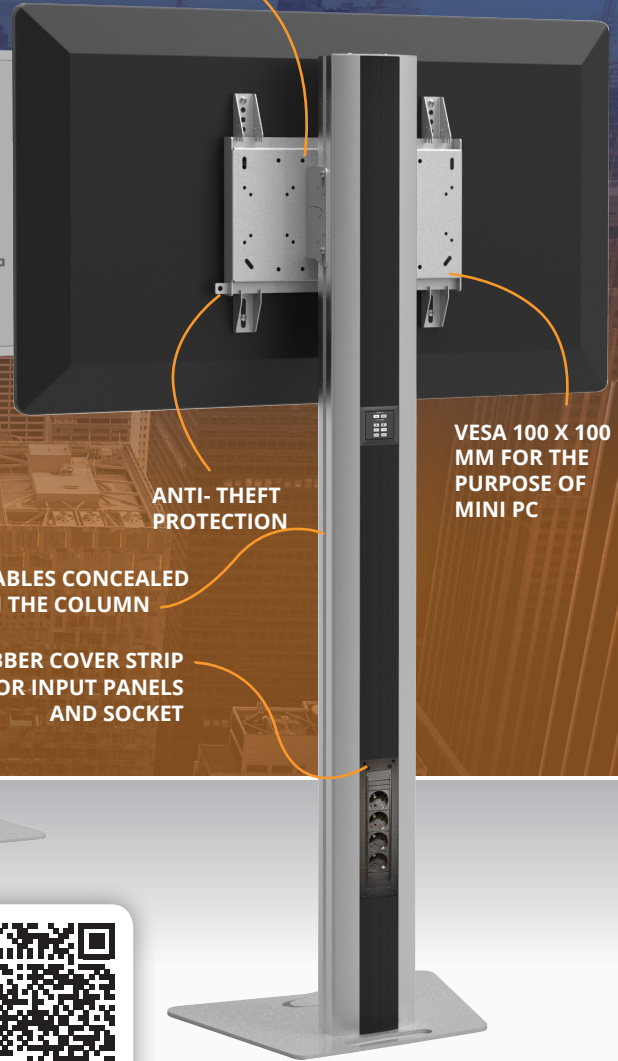
From presenting information to interactive communication: first and foremost, working with a monitor or touchscreen has to be easy. And that's precisely what our unique Flexline mounting system provides.



Max. 60 kg



Aluminium-grey



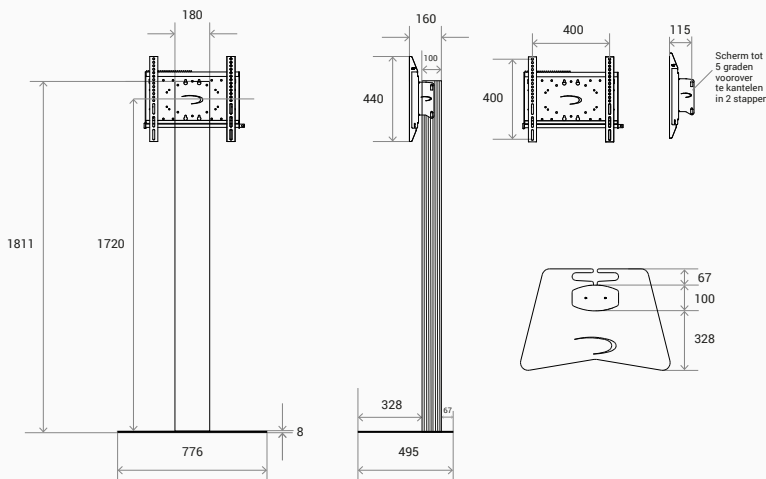
ANTI-THEFT PROTECTION

CABLES CONCEALED IN THE COLUMN

RUBBER COVER STRIP FOR INPUT PANELS AND SOCKET

VESA 100 X 100 MM FOR THE PURPOSE OF MINI PC

Technical drawing



Floor Stand Small Solo:

FSS18AV44

- The screen can be mounted at any height you wish
- Rubber cover strip can be positioned on the front or on the back
- Optional, camera support, socket, laptop shelf or input panel (Extron, Gira, Neets, Kramer etc.) to mount

About ErgoXS

ErgoXS develops and produces standard and customised systems for moving touchscreens and monitors, as well as for attaching them to ceilings, walls and floors. We do this for companies and institutions, such as schools and banks. Our solutions tie in with the user's requirements: from the teacher in the classroom to the director in the boardroom. This means they can do their work more easily, day in day out.

Accessories



Camera support
CAMA1



Laptop shelf
LAPA1



Power strip
ELEC042