

Double column tilting table low

- ▶ Mobile tilt table
- ▶ Optionally, the tilting tables can be fitted with a lockable cabinet for arranging equipment and cables.
- ▶ Enables working at different heights
- ▶ Horizontal height 67 - 133 cm
- ▶ Equipped with 4 braked robust swivel castors with a diameter of 100 mm
- ▶ Infinitely variable tilting function by means of a blockable gas spring



Max. 70 kg

Black

67 - 133 cm

66 cm

Safety Stop



VESA (W x H)

800 x 400

700 x 400

600 x 400

500 x 400

456 x 400

440 x 400

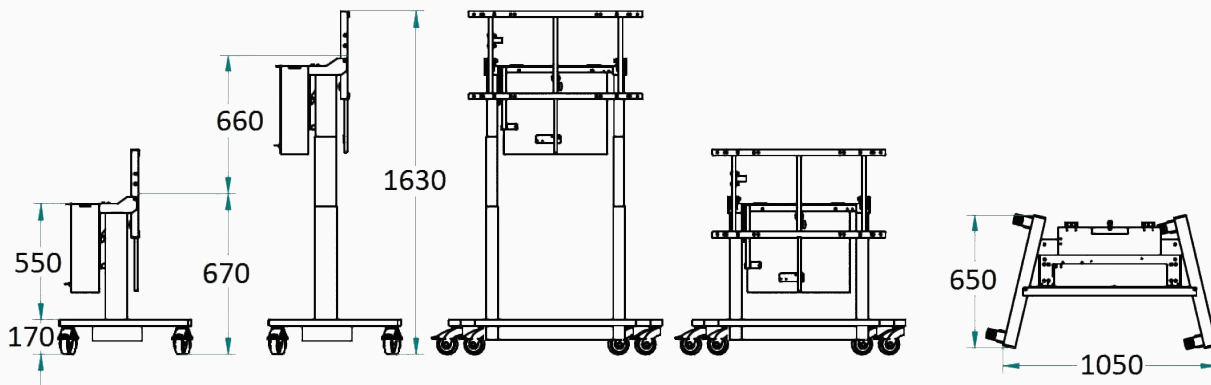
400 x 400

300 x 400

200 x 400



Technical drawing



Accessories



Cabinet for tilting table
EFK-Kast

About ErgoXS

ErgoXS develops and produces standard and customised systems for moving touchscreens and monitors, as well as for attaching them to ceilings, walls and floors. We do this for companies and institutions, such as schools and banks. Our solutions tie in with the user's requirements: from the teacher in the classroom to the director in the boardroom. This means they can do their work more easily, day in day out.